

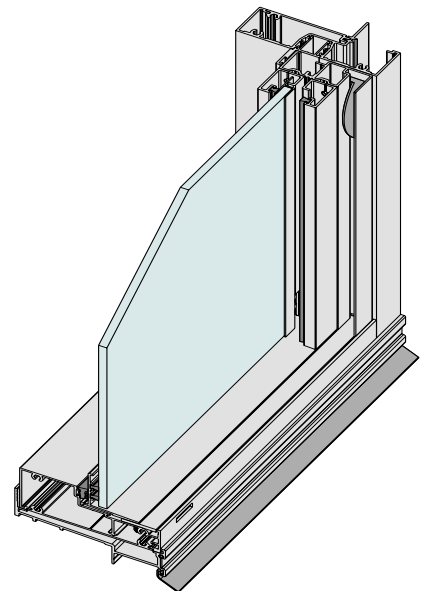


Overview

The Series 464 ClearVENT™ sashless double hung window offers clear unobstructed vision as there are no horizontal central sash rails. ClearVENT™ panels can be inserted into bifold, sliding or hinged doors.

Key Features

- This full vision vertical sliding, sashless double-hung window has been created in 102mm commercial framing.
- The perimeter frame has been designed to make installation into brick veneer and cavity brick easier with built-in nailing fins (weather bars). The sub-sill that comes with this window also has a built-in nailing fin.
- Sashes can be secured with key or non-key locking shoot bolt.
- The main feature with this ClearVENT™ window is the clear unobtrusive vision as there are no horizontal central sash rails. As one sash is lifted the other lowers (the sashes are joined via cords and pulleys).
- A fixed sill glass panel can be fitted into the ClearVENT™ window to make it easy to get top ventilation only. This fixed sill panel could also be used on tall windows in elevated installations as a safety barrier (check the requirements of local authorities).
- ClearVENT™ windows can be fitted with external flyscreens, special extrusions have been cut to make sure this detail matches the overall window design, no turn buckles required.
- Sashes are counterweighted by the adjoining sash via stainless steel/nylon pulleys and cords.
- Sashes can be glazed with 6mm annealed, 5 or 6mm toughened or 6.38mm laminated glass.
- ClearVENT™ vertical sliding sashes can also be installed into Series 50 or 51 hinged and Bi-fold doors.



Maximum Panel Height	1010mm
Maximum Panel Width	1210mm
Maximum Glass Thickness	≤ 6.5mm

Subject to individual site conditions. Contact AWS Technical Support for information.



3D & 2D CAD FILES AVAILABLE



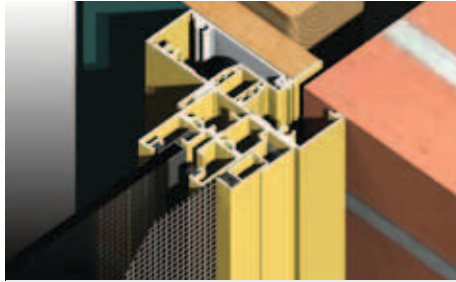
PRODUCT INFORMATION AVAILABLE AT
WWW.ELEVATEAUSTRALIA.COM.AU



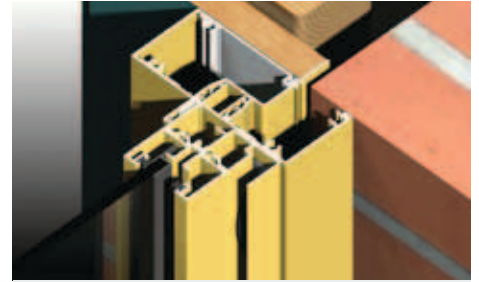
SPECIFIER ASSISTANCE AVAILABLE



Various configurations to suit your requirements.



Integrated screening option available.



Different jamb and mullion options available.



Most AWS Commercial products can incorporate nailing fins for residential construction.



Key lock standard on ClearVENT™ windows.



Concealed heavy duty pulley mechanism for smooth operation.

Typical Configurations

