



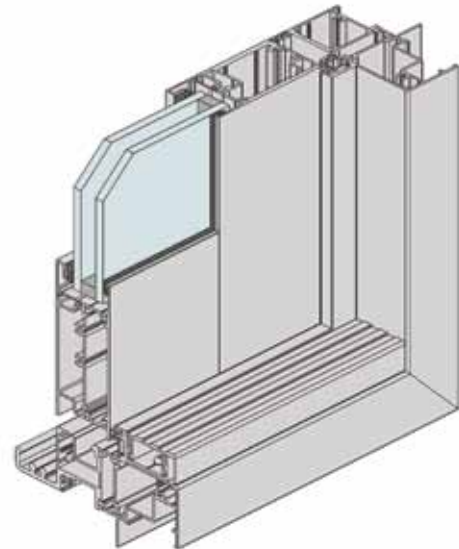
Designer ThermalHEART™ | Series 730
Thermally Broken Bi-fold Door

Overview

The Designer Series ThermalHEART™ Bi-fold doors are thermally broken to deliver exceptional thermal performance. Doors and windows incorporate a reliable bottom mounted roller system for smooth, reliable, performance. Our heavy duty quad rollers run on a matching double track for optimum performance and support this ensures heavy panels operate easily.

Key Features

- Series 730 incorporates Thermal HEART™ technology giving a true wide thermal break between the outside and inside faces. WERS (Window Energy Rating System) data shows that using the same IGU in a Thermal HEART™ awning is 32% more efficient than a standard non-thermally broken window.
- A major advantage with Thermal HEART™ in cold climates is the reduction in internal condensation. Thermal HEART™ is also suitable for hot climates.
- We offer Thermal HEART™ in a range of stocked colours including dual colour ClearMIST™.
- Running bi-fold doors on bottom rollers reduces the problems caused by lintel sag and allows us to offer optional highlights.
- This bi-fold door has been tested for compliance with the relevant Australian Standards and achieved a high water resistance of 380Pa, this makes the product suitable for most residential applications.
- Low air infiltration suitable for air conditioned buildings.
- The extra strong door stiles allow over size door panels to be fabricated.
- Sharp square external glazing beads are standard.
- 100mm frame and transom have a soft 2mm internal radius.
- Doors can be fitted with a variety of custom lever and bi-fold activator sets (ICON™ or MIRO™) with Lever Compression Lock (LCL) motor as standard. ICON™ lever sets are available in 316 Stainless steel finish.



Maximum Panel Height	2600mm
Maximum Panel Width	900mm
Maximum Glass Thickness	≤ 32mm

Subject to individual site conditions. Contact AWS Technical Support for information.



WERS RATED PRODUCT



ENHANCED ACOUSTIC PERFORMANCE



3D & 2D CAD FILES AVAILABLE



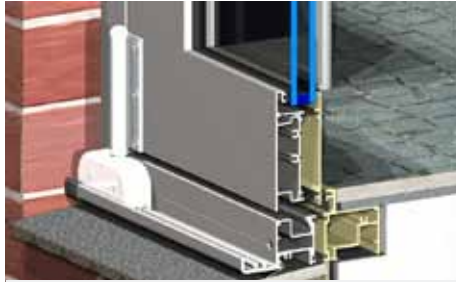
PRODUCT INFORMATION AVAILABLE AT
WWW.VANTAGEALUMINIUM.COM.AU



SPECIFIER ASSISTANCE AVAILABLE



Doors are fitted with heavy duty bottom rolling gear running on double tracks, ideal for supporting the weights of heavy double glazed door panels.



This illustrations shows the 316 stainless steel roller cowling - designed for coastal applications. Bottom rollers allow us to have heavy door panels as the weight is supported by the sill as well as the option of highlights being fitted above.



We offer two types of lock for the 730 and both come with 4-point lever compression as standard. This keeps the doors tight on the seals and improves air infiltration resistance.



The bi-fold activator secures the folding panels tight into the frame when closed. By turning the level 90° shoot bolts top and bottom are retracted to allow panels to open. We offer this furniture in 2 custom designs.

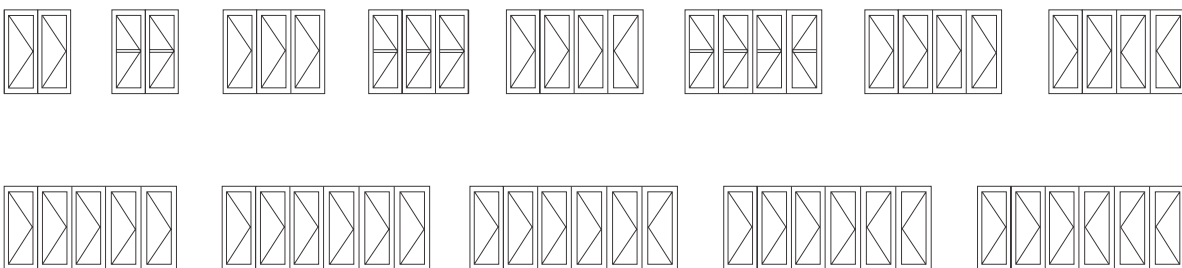


Stainless steel bolt tips supported with custom bolt guides.



Custom hinges designed to carry heavy double-glazed panels.

Typical Configurations



WERS RATINGS

The table below lists some of the WERS rated glass and frame combinations for this system. For a complete list of all rated glass and frame combinations refer to the Series 730 WERS Data Sheet.

Glass Description	COOLING	HEATING	Uw	SHGCw	Tvw	Inf
4Clr/10GAP/4Clr	50%	44%	3.3	0.44	0.45	0.64
4Clr/10Ar/4EA	55%	50%	2.6	0.44	0.45	0.64
5Clr/8GAP/5Clr	51%	43%	3.3	0.46	0.48	0.64
6Clr/12GAP/6Clr	52%	44%	3.2	0.44	0.47	0.64
6EG/12GAP/6EA	69%	36%	2.8	0.23	0.33	0.64