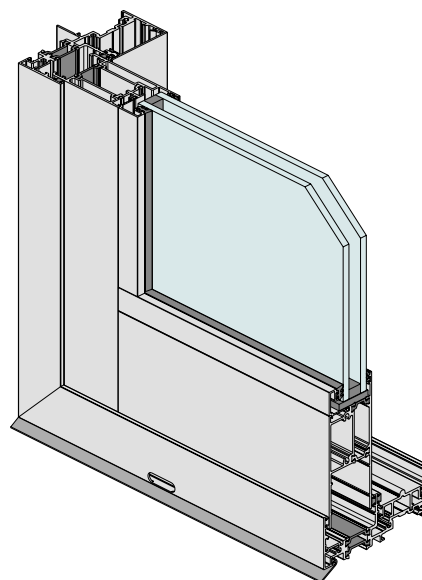


## Overview

The Designer Series ThermalHEART™ sliding door system offers excellent thermal performance and stacking door configurations of up to 4 panels in each direction. The clean bold frame design gives a modern aesthetic, integrated screening options are available.

## Key Features

- Series 73I incorporates Thermal HEART™ technology giving a true wide thermal break between the outside and inside faces. WERS (Window Energy Rating System) data shows that using the same IGU in a Thermal HEART™ awning is 32% more efficient than a standard non-thermally broken window.
- A major advantage with Thermal HEART™ in cold climates is the reduction in internal condensation. Thermal HEART™ is also suitable for hot climates.
- Thermal HEART™ will accept insulating glass units up to 32mm thick. The typical IGU thickness is 24mm.
- We offer Thermal HEART™ in a range of stocked colours including dual colour ClearMIST™.
- The door panels run on heavy duty double bogey wheels as standard.
- For the ultimate finish the perimeter frame has snap-in flat fillers to close off all unwanted recesses. These fillers are isolated to prevent thermal transmission from inside to outside.
- The flat sill is ideal for recessing into the floor finish as shown on back page.
- This sliding door has been tested for compliance with the relevant Australian Standards and achieved a high water resistance of 300Pa, this makes the product suitable for most residential applications. We also tested the maximum size door panels and ran them through to destruction to make sure.
- Low air infiltration suitable for air conditioned buildings.
- The extra strong door stiles allow large door panels to be fabricated.



|                         |        |
|-------------------------|--------|
| Maximum Panel Height    | 2640mm |
| Maximum Panel Width     | 1550mm |
| Maximum Glass Thickness | ≤ 32mm |

*Subject to individual site conditions. Contact AWS Technical Support for information.*



WERS RATED PRODUCT



ENHANCED ACOUSTIC PERFORMANCE



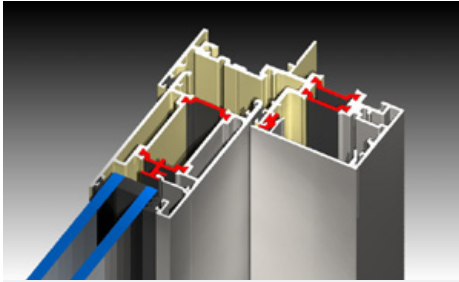
3D & 2D CAD FILES AVAILABLE



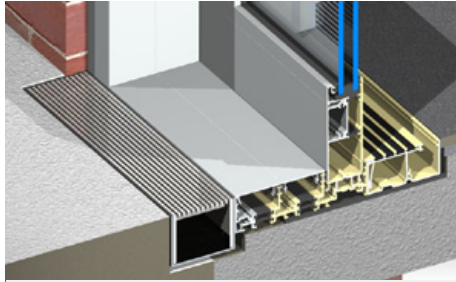
PRODUCT INFORMATION AVAILABLE AT  
[WWW.VANTAGEALUMINIUM.COM.AU](http://WWW.VANTAGEALUMINIUM.COM.AU)



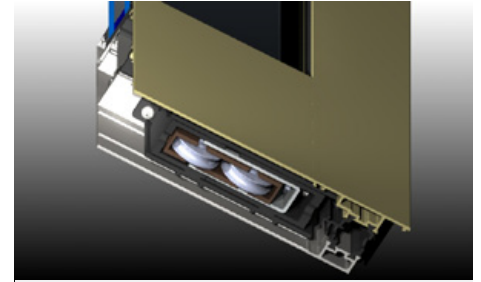
SPECIFIER ASSISTANCE AVAILABLE



This illustration highlights the thermal break through frame and on the flat filler. This frame is also available in a dual colour finish.



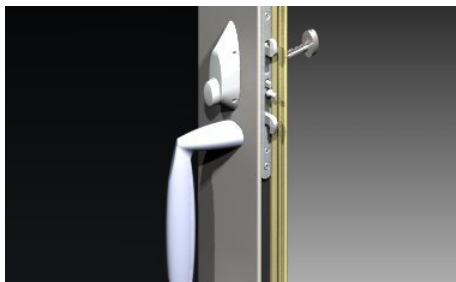
The door sill can be completely recessed into the floor as shown above. For the ultimate finish you can fit recessed gutter on the outside and a retractable roller screen on the inside.



These heavy doors are supported on custom double bogey wheels that are designed to support double glazed panels up to 150Kg in weight.

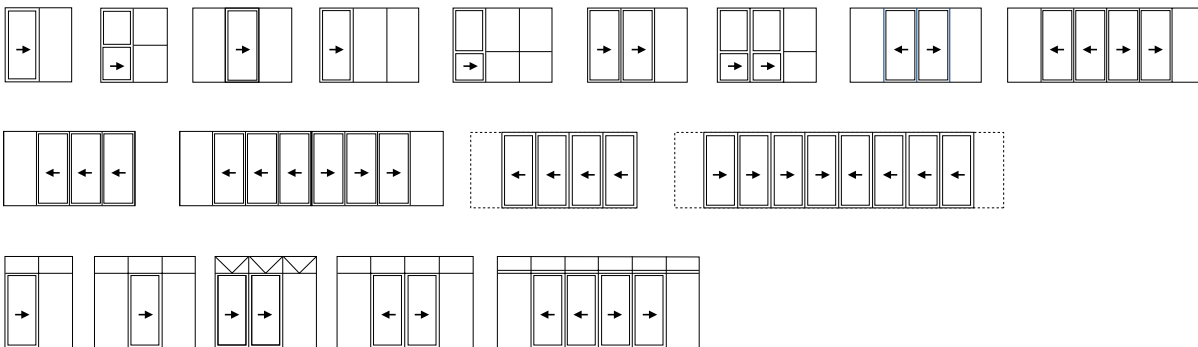


ICON™ heavy duty bold pull handles with mortice lock.



MIRO™ pull handles with mortice lock.

**Typical Configurations**



**WERS RATINGS**

The table below lists some of the WERS rated glass and frame combinations for this system. For a complete list of all rated glass and frame combinations refer to the Series 731 WERS Data Sheet.

| Glass Description | COOLING | HEATING | Uw  | SHGCw | Tvw  | Inf  |
|-------------------|---------|---------|-----|-------|------|------|
| 4Clr/10Ar/4EA     | 50%     | 51%     | 2.5 | 0.51  | 0.53 | 5.00 |
| 4Az/12GAP/3EA     | 64%     | 37%     | 2.7 | 0.30  | 0.45 | 5.00 |
| 5Clr/8GAP/5Clr    | 45%     | 43%     | 3.4 | 0.53  | 0.58 | 5.00 |
| 6Clr/12GAP/6EA    | 51%     | 49%     | 2.7 | 0.49  | 0.53 | 5.00 |
| 6EG/12GAP/6EA     | 67%     | 35%     | 2.7 | 0.26  | 0.39 | 5.00 |